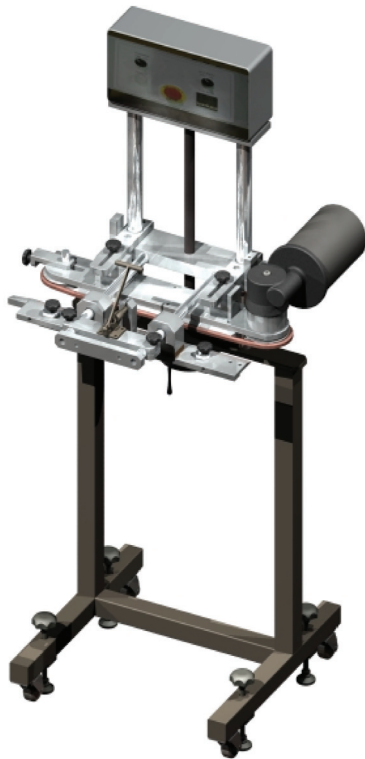




Wide Belt SPIN TRIMMER



Guarding not shown.

FEATURES

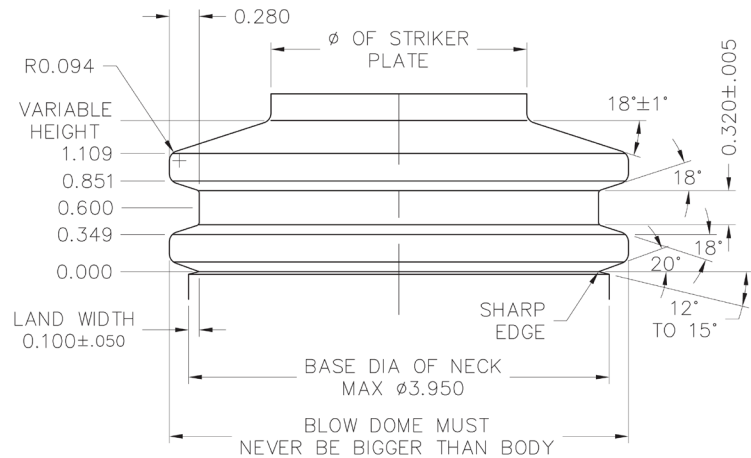
- Capable of trimming necks 5" (125mm) in diameter
- Heated bladed technology
- Easily converted between wide and narrow belt version
- Trims HDPE, PVC, PETE and various other resins
- Able to trim oversized and bottle necks
- Emergency-stop switch
- Easy set-up of bottle height handle to conveyor
- No tooling necessary when adjusting blade angle and belt height

The **Spin Trimmer model SPT2500** features a Safety Pull-Out System that allows jammed bottles to be removed without the operator having to enter the cutting area. The quick-release handle frees the Spin Trimmer from bottle jams and, once cleared, returns to the original position eliminating the need to readjust.

The Spin Trimmer features a simple but sturdy design and can be easily integrated into an existing production line. Model SPT2500 is extremely versatile and can be customized to fulfill your specific needs.

Contact us for full guarding system, complete with safety certification.

WIDE BELT BLOW DOME CONFIGURATION



Notes:

Model SPT3500 has the same features as the SPT2500, but is capable of trimming necks up to 7.5" (190mm) in diameter.

Due to a company policy of continuous improvement, Compact Mould reserves the right to alter technical specifications without prior notice.